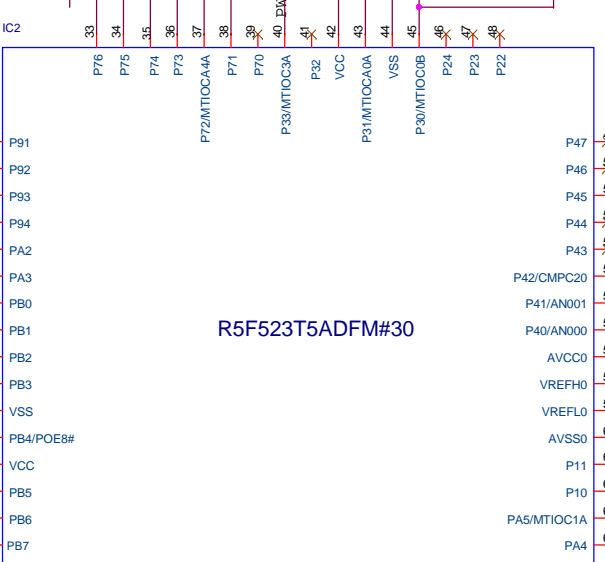
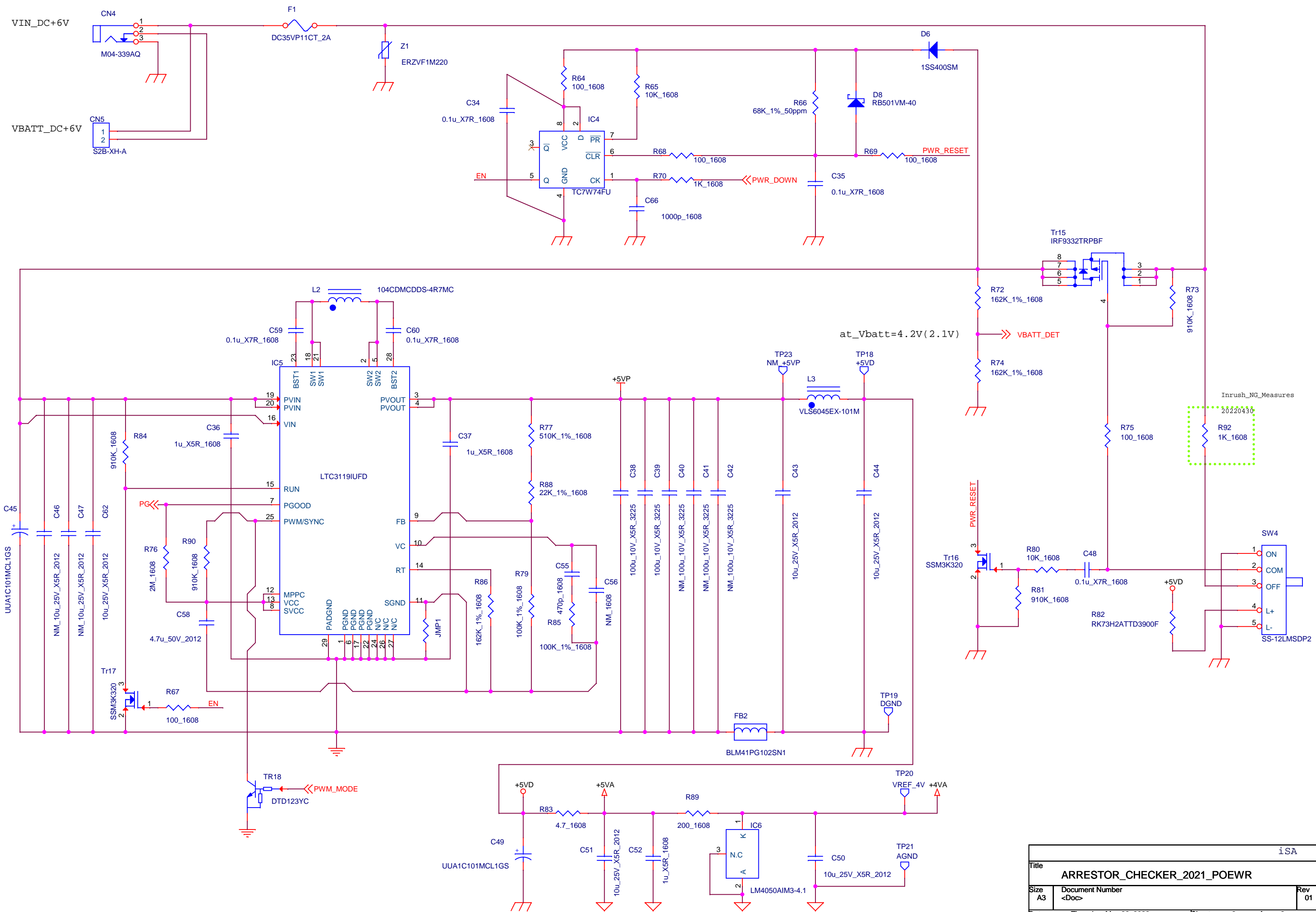


**R5F523T5ADFM#30**





iSA		
Title <b>ARRESTOR_CHECKER_2021_POEWR</b>		
Size A3	Document Number <Doc>	Rev 01
Date: Thursday, May 26, 2022	Sheet 2	of 2